



Carefree Security
Access Controls

308

HEAVY DUTY – INDUSTRIAL – COMMERCIAL
FULLY SEALED OUTDOOR / ALL WEATHER PRODUCTS
SPECIALLY DESIGNED FOR GATE OPERATORS
OVERHEAD DOORS & ELECTRIC DOOR LOCKING DEVICES

MODEL: 308

CAREFREE
FREE EXIT SWITCH
WITH
NIGHT LIGHT

- Connect to any Carefree Keypad
- Heavy Duty Repairable Sealed Switch with LED Night Light
- 24 Volts AC or DC
- Pilfer-proof Spanner-type Security Screw
- Heavy duty cast aluminum housing for indoor and outdoor mounting on a wall or pedestal
- Provides a safe, lighted free exit when mounted on the secure side of an opening



12195 Hwy 92 Ste 114-195, Woodstock, GA 30188

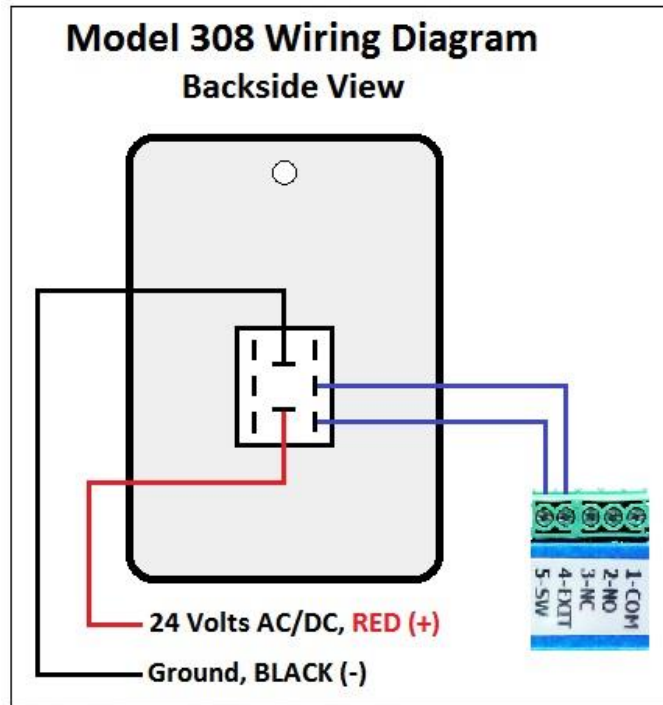
Phone: 1-800-977-6626

access@carefree-security.com

www.carefree-security.com

Technical Information

Model	308
Operating Voltage	24 Volts AC or DC
Housing	Heavy Duty Cast Aluminum (Powder Coated)
Dimensions	4.750" X 3.375" X 2.750"
Weight	2 LBS
Environment Humidity	5 - 98% Relative Humidity



*Designed for use with Carefree Keypads

*Polarity MUST BE OBSERVED when using DC Voltage

Carefree Security Access Controls

CAREFREE SECURITY has been manufacturing fully sealed outdoor ALL WEATHER digital keypads and access controls for over 40 years. Our customers are assured of a trouble free product that is easy to install, user friendly and easy to operate.

CAREFREE SECURITY keypads and products are designed as a stand-alone programmable digital keypad entry with self-contained electronics. All of our keypads are designed for heavy-duty commercial and industrial use. This product is ideal for adverse environment conditions. Keypads are field programmable and can be changed in seconds. A user can pass through an entry point secured by the Carefree keypad by entering a correct code into the keypad. If an incorrect code is entered the keypad will deny access. The built in relay can switch power to an electric door lock, gate, overhead door operator and much more. The keypad metal housing can be mounted to a pedestal or bolted directly to a wall. The keypad has a high-grade anodized aluminum faceplate, which protects it against any corrosion, it is also weather proof and vandal resistant. All of our products will compliment any opening and will provide total user satisfaction.

12195 Hwy 92 Ste 114-195, Woodstock, GA 30188

Phone: 1-800-977-6626

access@carefree-security.com

www.carefree-security.com